

**blokart**<sup>®</sup>  
exploded diagrams



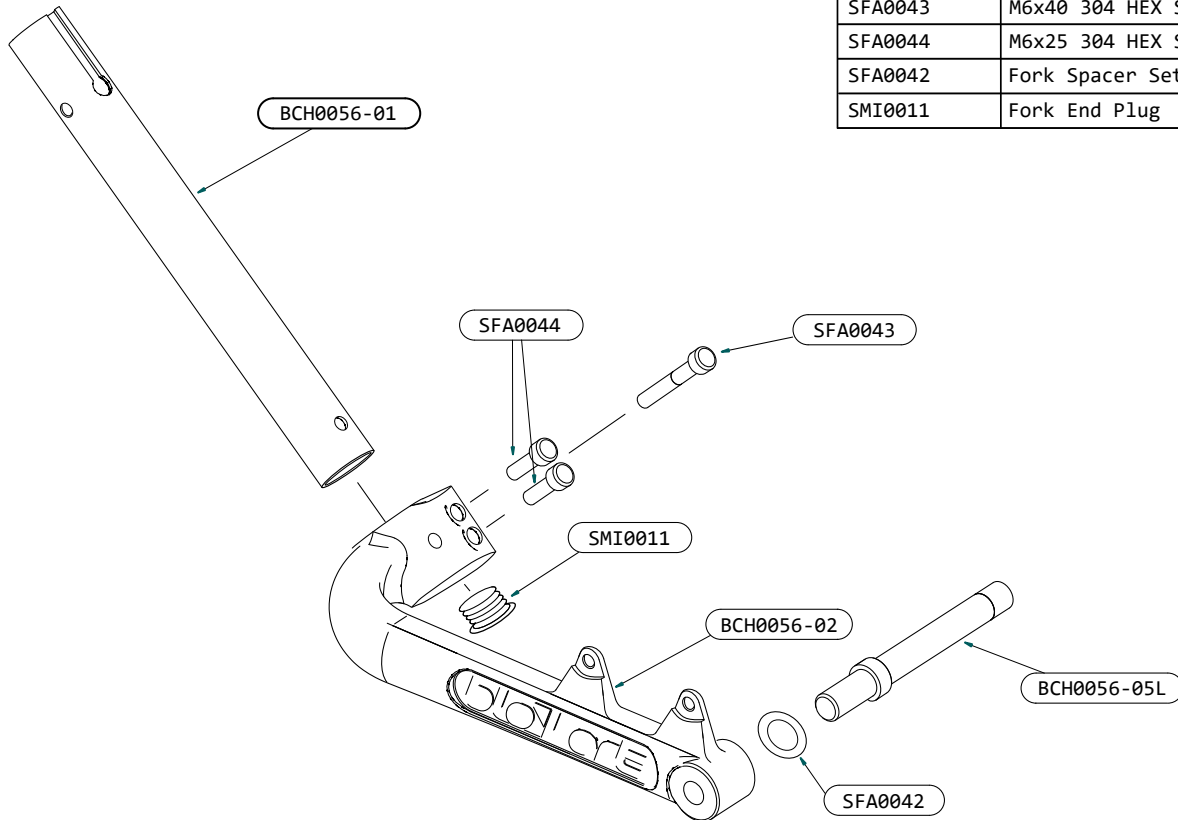


BCH0256-08 Forged Fork Assembly	<a href="#"><u>Page 1</u></a>
BCH0255-08 Keel Tube & Bushes	<a href="#"><u>Page 2</u></a>
BFA0221 Q/R Collar & Retaining Pin	<a href="#"><u>Page 3</u></a>
BWH1201 Front Wheel 12" Complete – Dark Grey	<a href="#"><u>Page 4</u></a>
BCH0355-08 Pro Keel Tube Complete – Incl. Wheel	<a href="#"><u>Page 5</u></a>
BWH2205 Rear Wheel Complete incl. Bearings	<a href="#"><u>Page 6</u></a>
BCH0252-08 Back Rest Complete	<a href="#"><u>Page 7</u></a>
BCH0258 Handle Bar Complete	<a href="#"><u>Page 8</u></a>
BCH0353 Mast Base Complete	<a href="#"><u>Page 9</u></a>
Pro Blokart part assembly part 1	<a href="#"><u>Page 10</u></a>
Pro Blokart part assembly part 2	<a href="#"><u>Page 11</u></a>
Pro Blokart part assembly part 3	<a href="#"><u>Page 12</u></a>
Pro Blokart part assembly part 4	<a href="#"><u>Page 13</u></a>
Pro Blokart part assembly part 5	<a href="#"><u>Page 14</u></a>

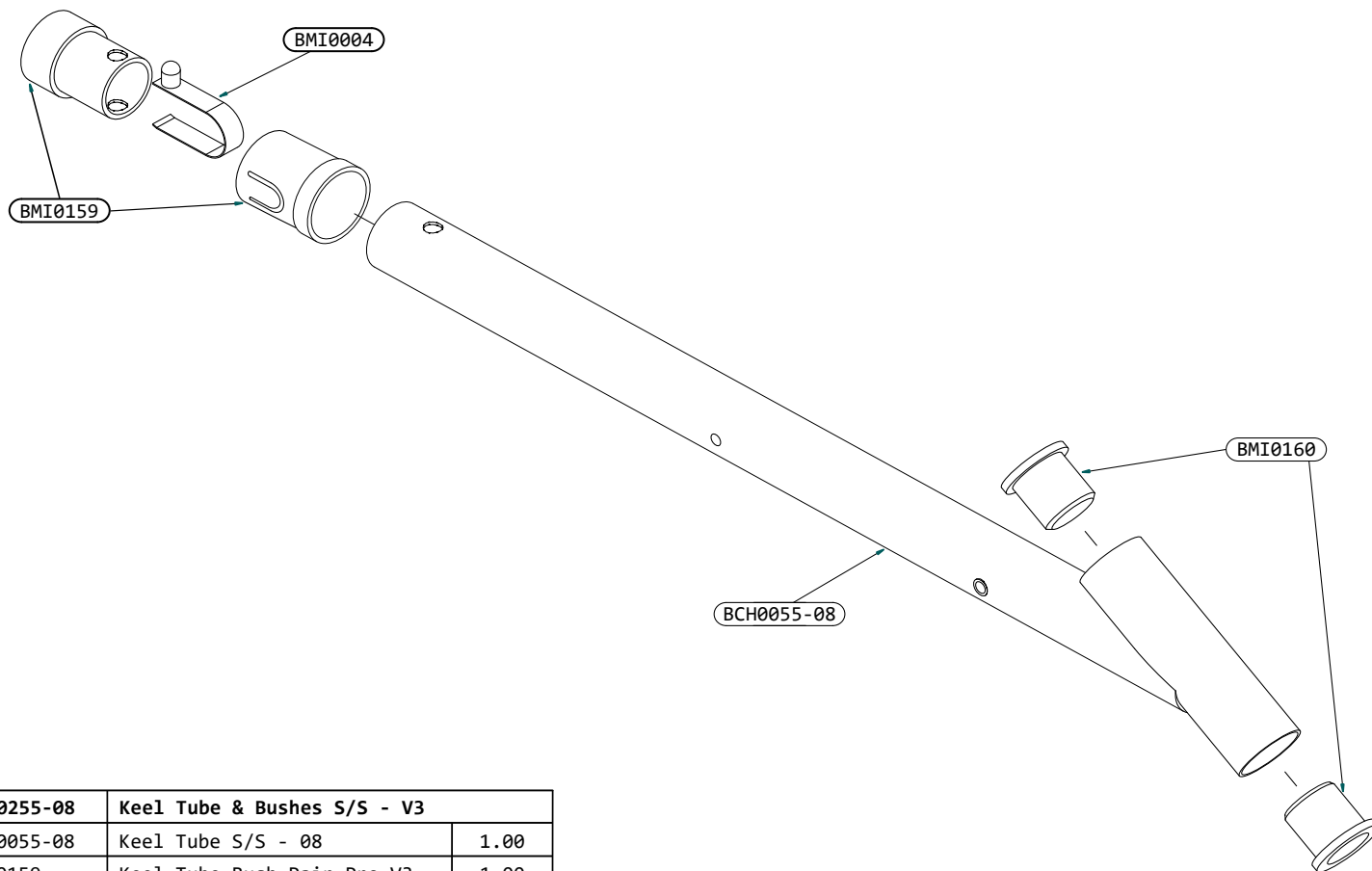
**\*all product codes on the following pages are linked to the product in our store on the Blokart International website.**

# BCH0256-08 Fork Assembly

BCH0256-08		Forged Fork
BCH0056-01	Fork Stem	1.00
BCH0056-02	Fork Arm	1.00
BCH0056-05L	Fork Axle-Left Hand Thread	1.00
SFA0043	M6x40 304 HEX Socket cap scr	1.00
SFA0044	M6x25 304 HEX Socket cap scr	2.00
SFA0042	Fork Spacer Set	1.00
SMI0011	Fork End Plug	1.00

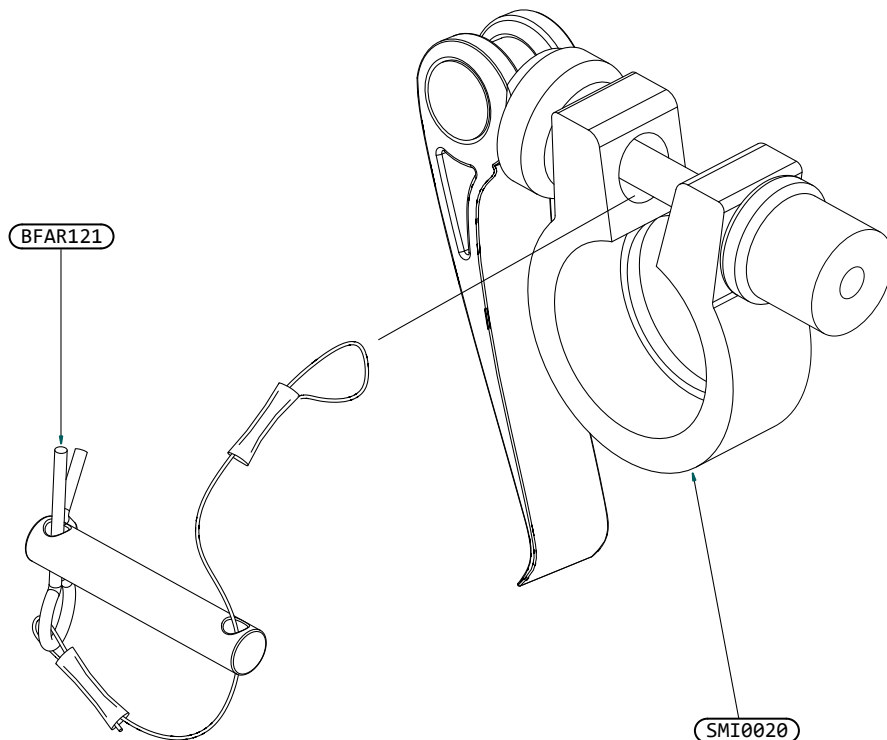


# BCH0255-08 Keel Tube & Bushes



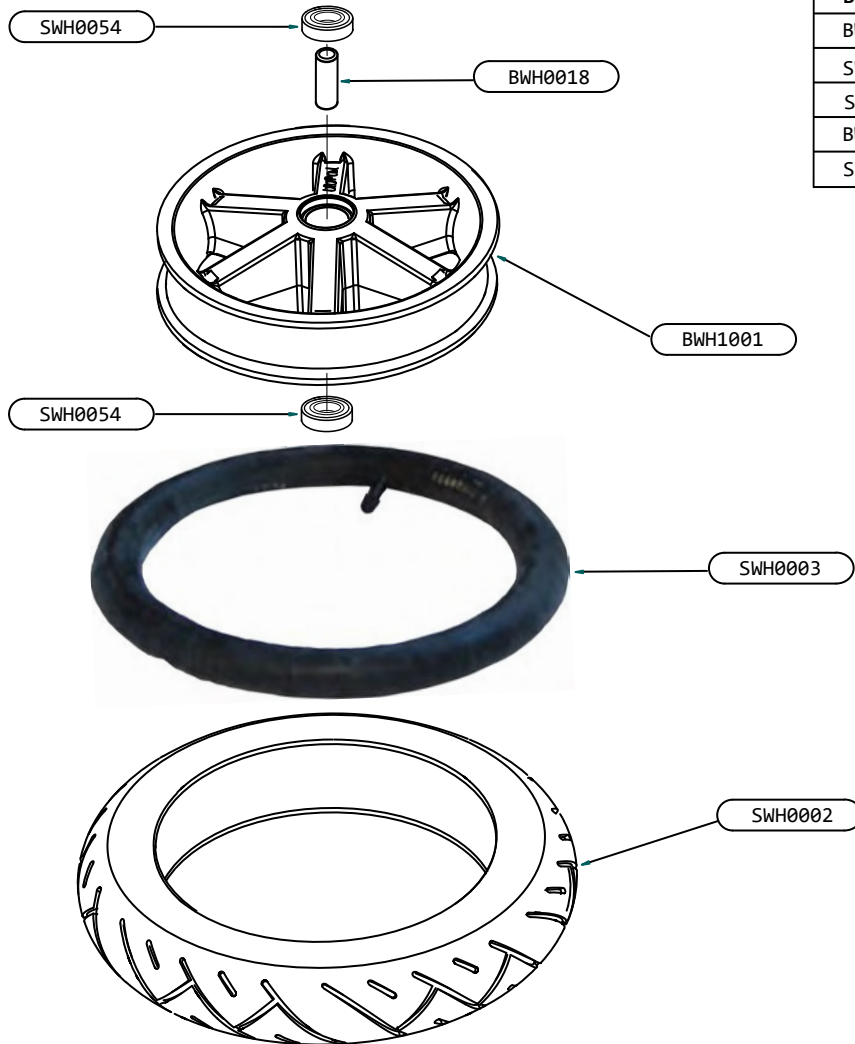
BCH0255-08	Keel Tube & Bushes S/S - V3	
BCH0055-08	Keel Tube S/S - 08	1.00
BMI0159	Keel Tube Bush Pair Pro V3	1.00
BMI0160	Steering Head Bush Pair Pro	1.00
BMI0004	Spring Button Keel	1.00

# BFA0221 - QR Collar & Retaining Pin



BFA0221	Q/R Collar & Retaining Pin	
BFAR121	Fork Retaining Pin inc. R Clip	1.00
SMI0020	Steering Head Clamp	1.00

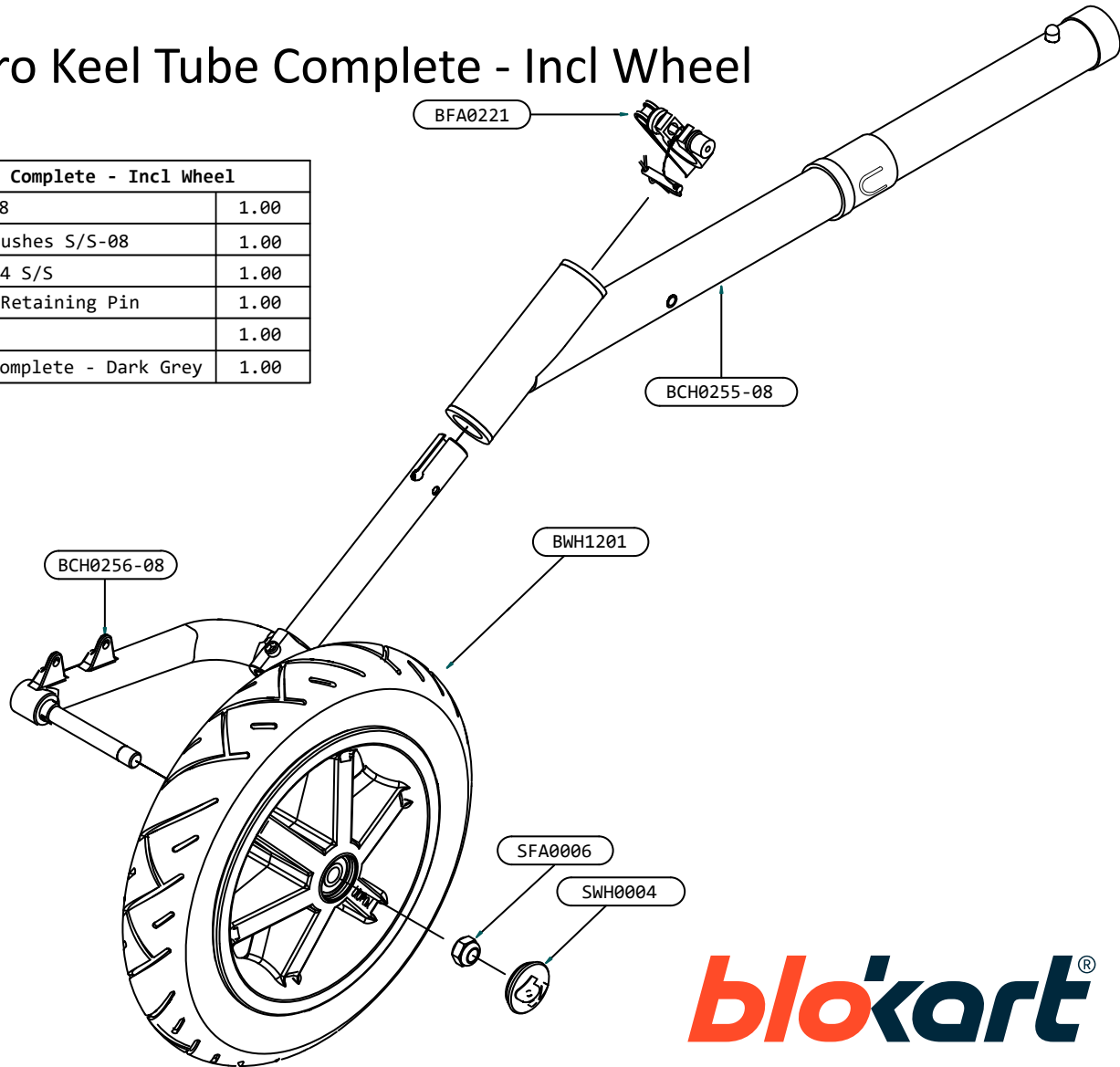
# BWH1201 Front Wheel Complete



BWH1201 Front Wheel 12" Complete - Dark Grey		
BWH1001	Front Rim 12 Inch - Dark	1.00
SWH0002	Front Tyre	1.00
SWH0054	S/S Front Bearing S6201RS	2.00
BWH0018	Front Bearing Spacer - 12mm	1.00
SWH0003	Front Tube	1.00

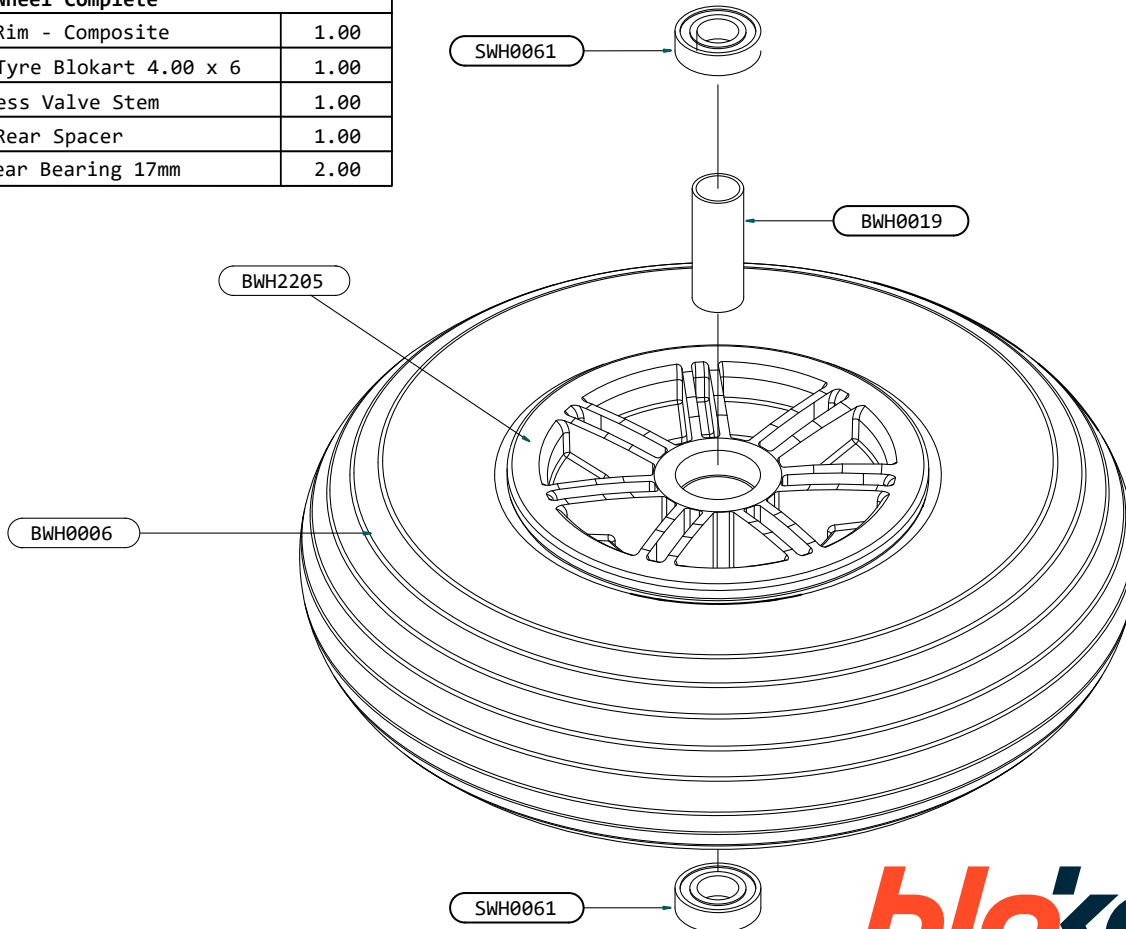
# BCH0355-08 Pro Keel Tube Complete - Incl Wheel

BCH0355-08	Pro Keel Tube Complete - Incl Wheel	
BCH0256-08	Forged Fork 08	1.00
BCH0255-08	Keel Tube & Bushes S/S-08	1.00
SFA0006	M12 Nylock 304 S/S	1.00
BFA0221	Q/R Collar & Retaining Pin	1.00
SWH0004	Hub Cap	1.00
BWH1201	Front Wheel Complete - Dark Grey	1.00



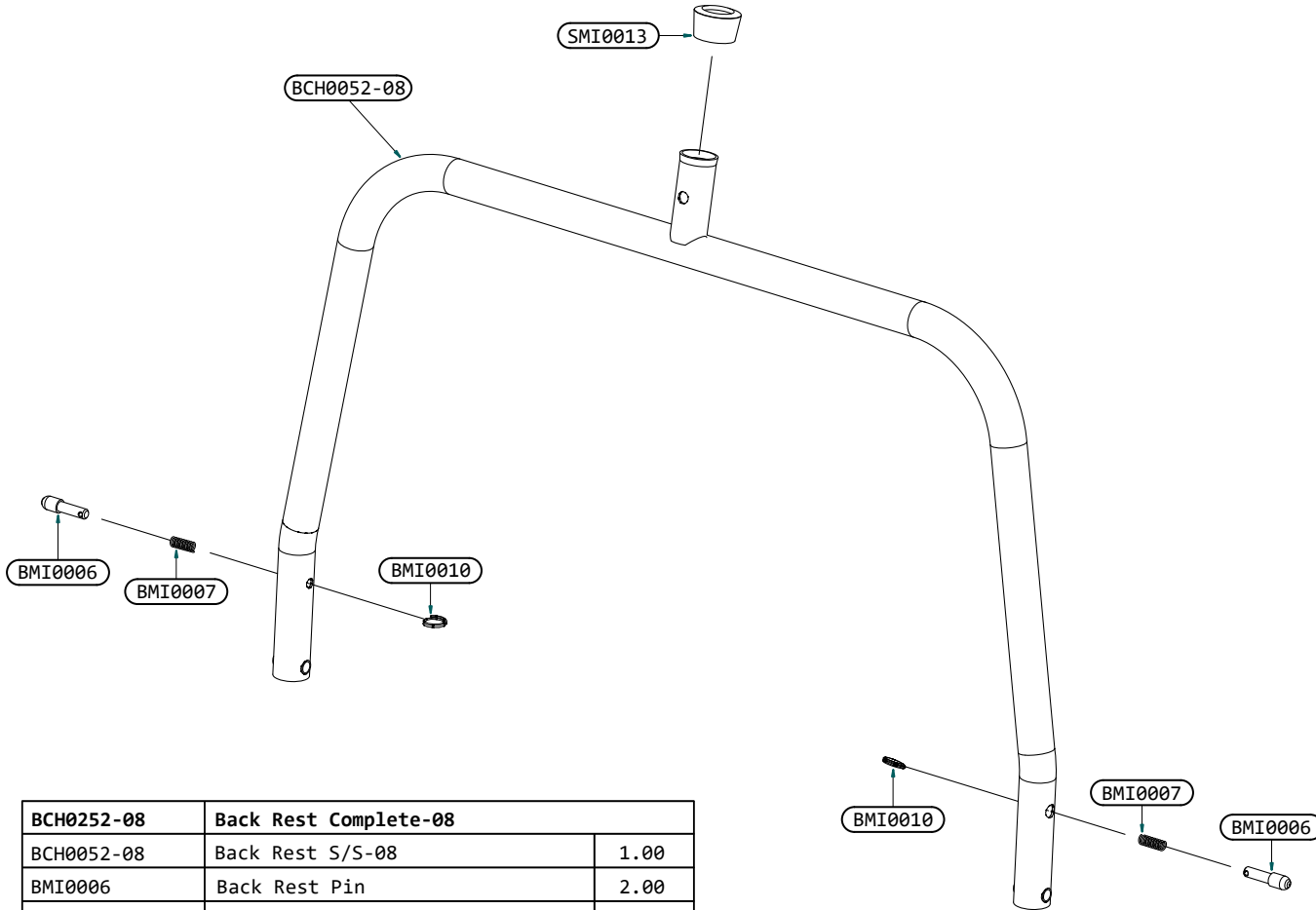
# BWH2205 Rear Wheel Complete (excludes Stub Axle)

BWH2205	Rear Wheel Complete	
BWH2005	Rear Rim - Composite	1.00
BWH0006	Rear Tyre Blokart 4.00 x 6	1.00
SWH0009	Tubeless Valve Stem	1.00
BWH0019	17mm Rear Spacer	1.00
SWH0061	S/S Rear Bearing 17mm	2.00



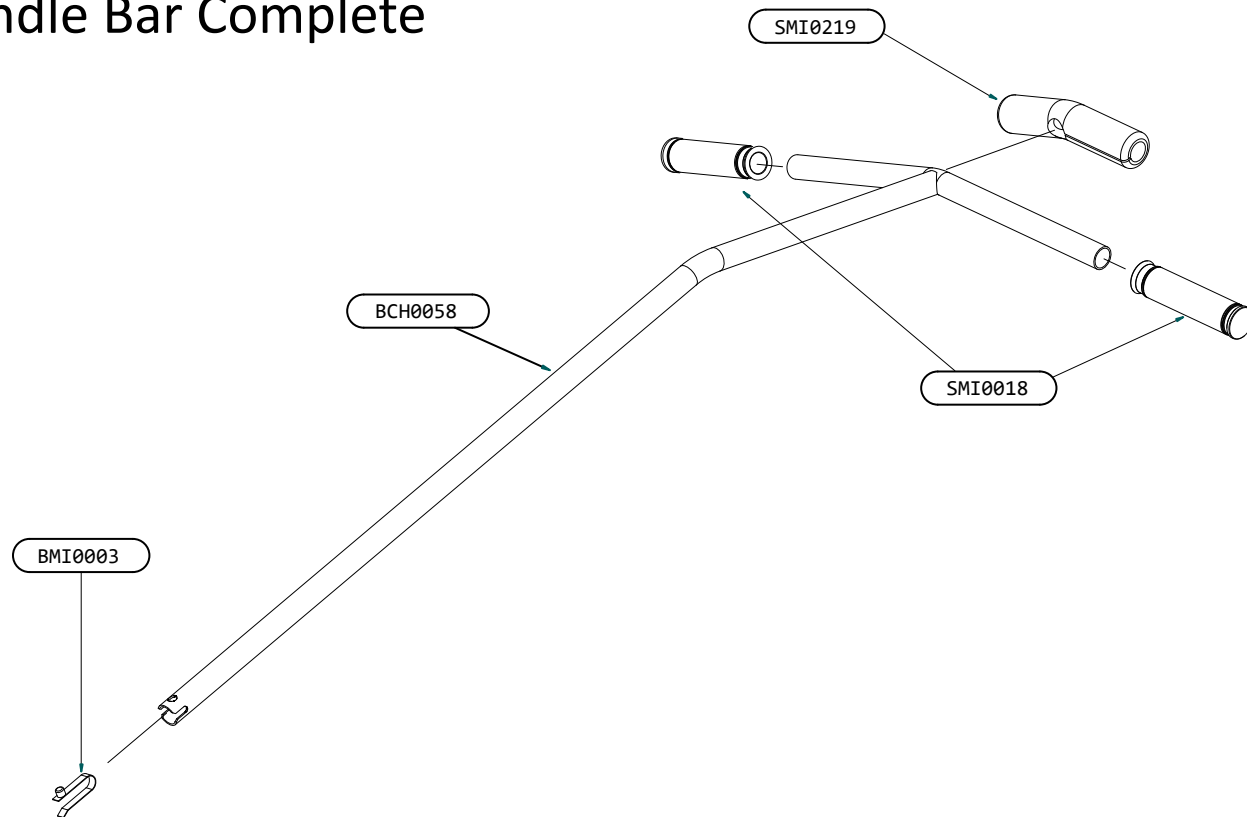


# BCH0252 - 08 Back Rest Complete



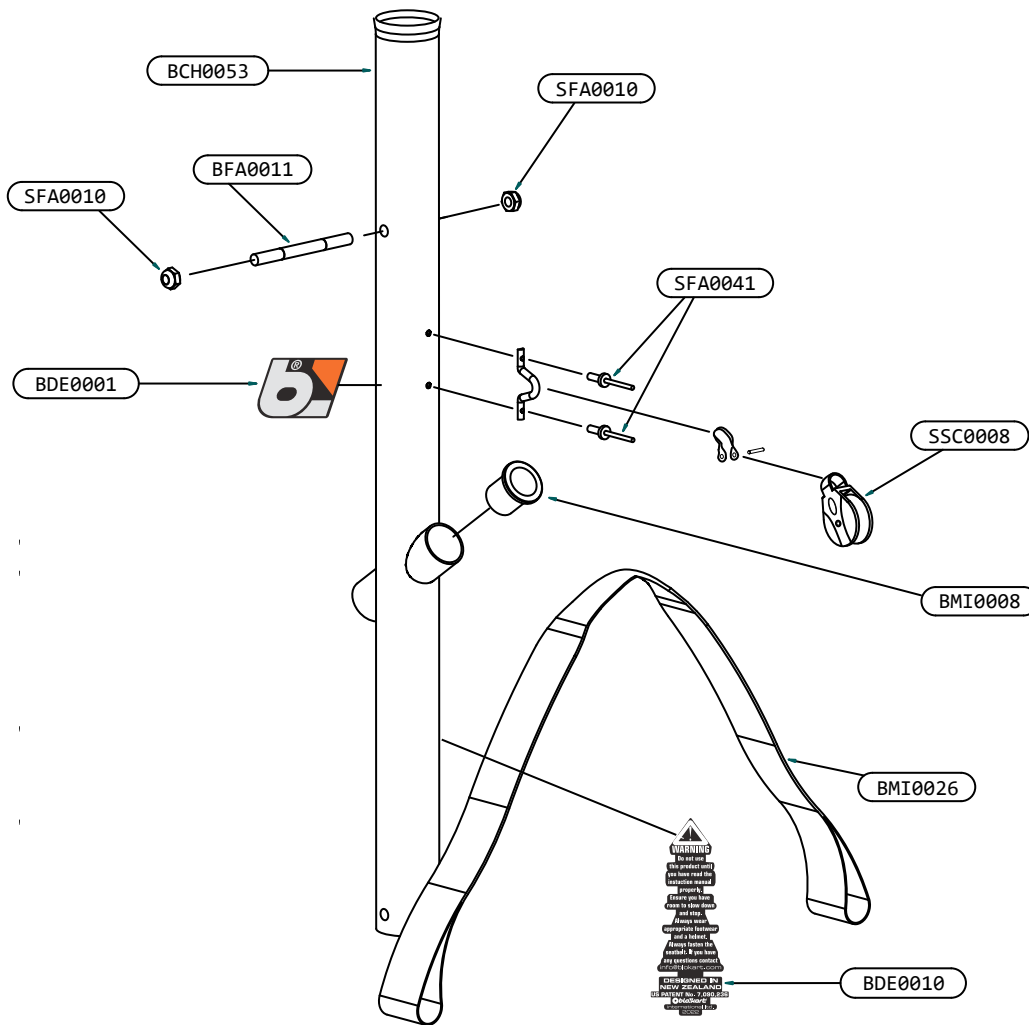
BCH0252-08	Back Rest Complete-08	
BCH0052-08	Back Rest S/S-08	1.00
BMI0006	Back Rest Pin	2.00
BMI0007	Back Rest Compression Spring	2.00
SMI0013	Back Rest Cap	1.00
BMI0010	Back Rest Cotter Ring	2.00

# BCH0258 - Handle Bar Complete



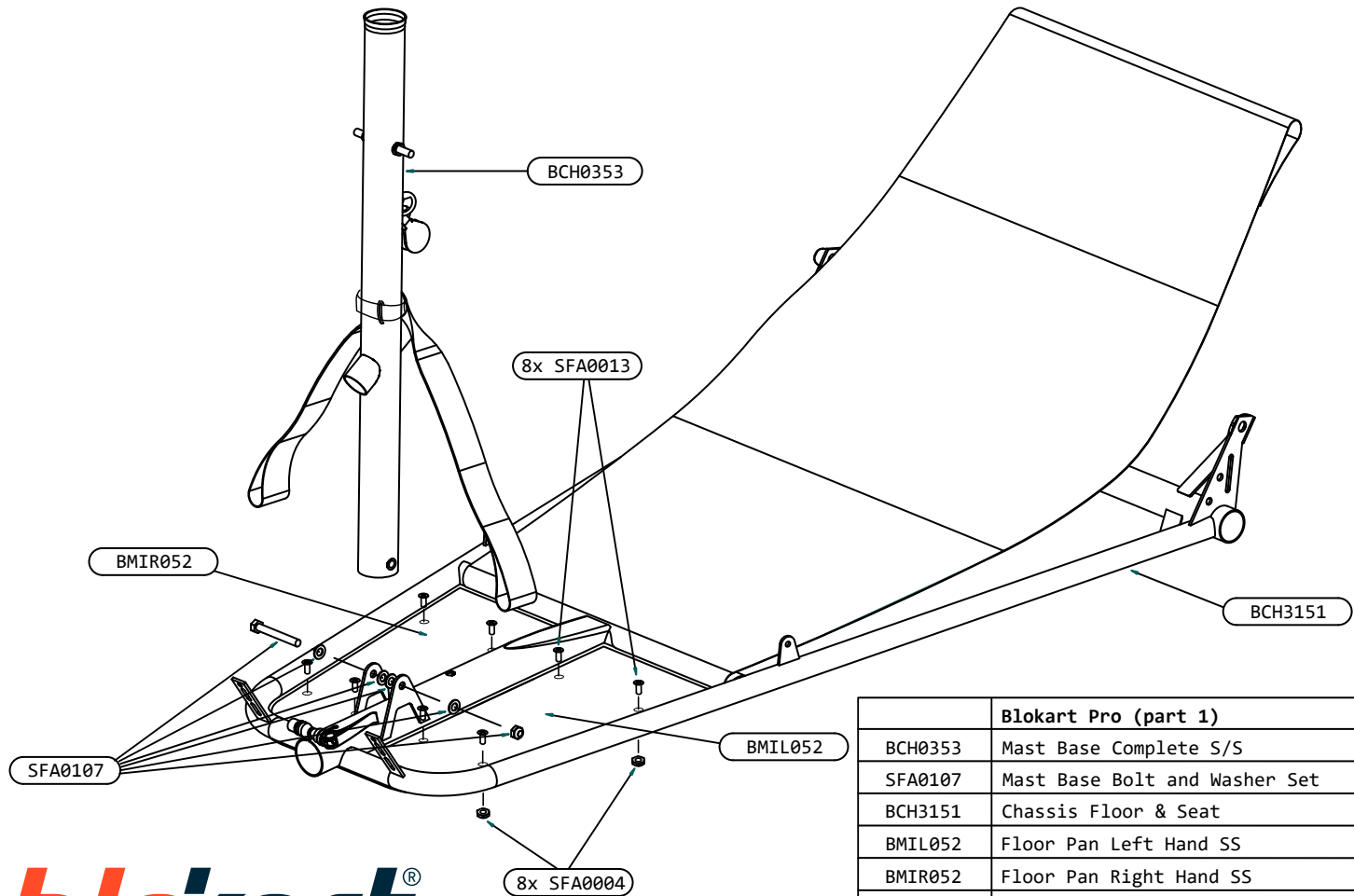
BCH0258	Handle Bar Polished S/S Comp	
BCH0058	Handle Bar S/S	1,00
SMI0018	Handle Bar Grips-Pair	1,00
SMI0219	Soft Grips - Handle Bar	1,00
BMI0003	Spring Buttons-Handle Bar	1,00

# BCH0353 Mast Base Complete S/S



BCH0353	Mast Base Complete S/S	
BCH0053	Mast Base Polished S/S	1.00
BFA0011	Mast Stud S/S	1.00
SFA0010	M8 Nylock 304 S/S	2.00
BDE0001	Large b icon	1.00
BMI0008	Mast Base Steering Bush	1.00
SSC0008	Pulley	1.00
SMI0015	Mast Base Wire Eye	1.00
SFA0041	Stavex 5-4 Rivets	2.00
BDE0010	Mast Base Warning Decal	1.00
BMI0026	Leg Strap	1.00

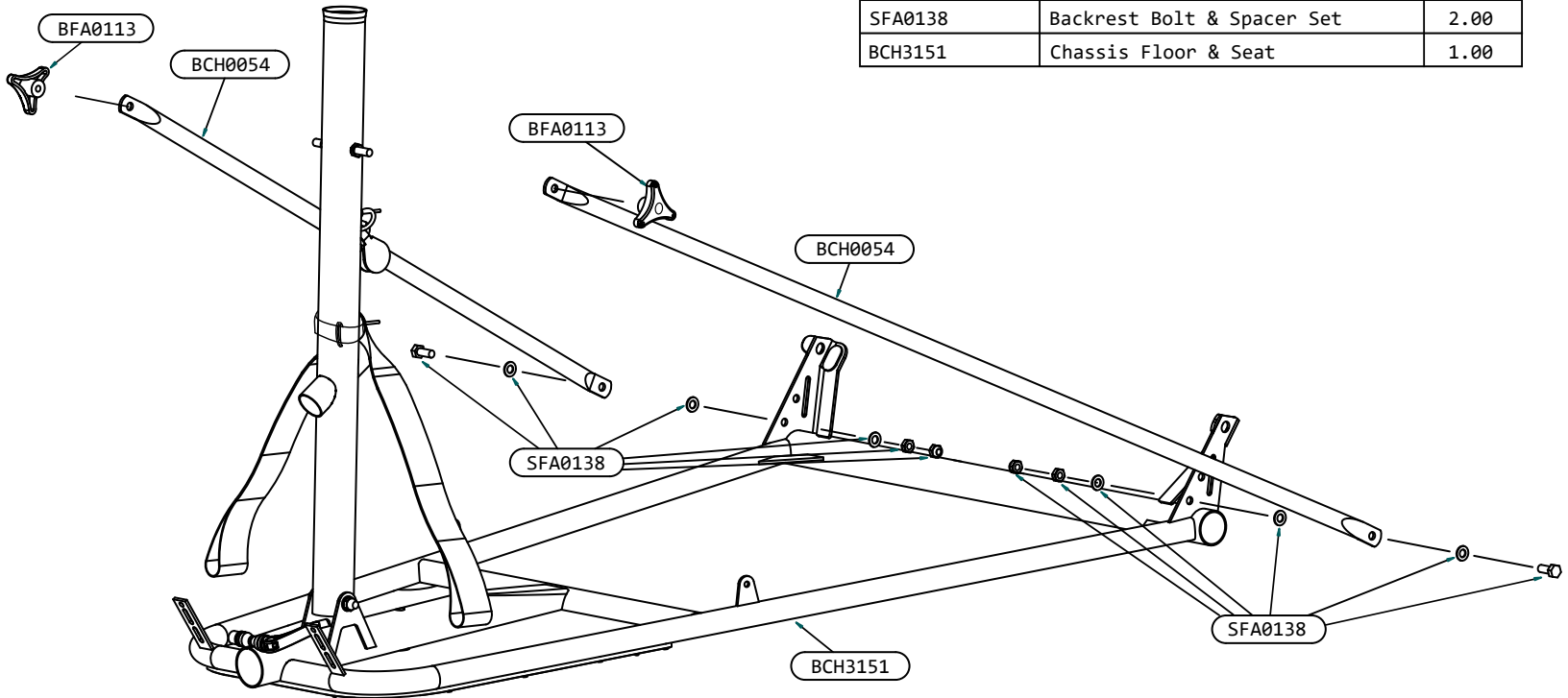
# Pro blokart part assembly (part1)



Blokart Pro (part 1)		
BCH0353	Mast Base Complete S/S	1.00
SFA0107	Mast Base Bolt and Washer Set	1.00
BCH3151	Chassis Floor & Seat	1.00
BMIL052	Floor Pan Left Hand SS	1.00
BMIR052	Floor Pan Right Hand SS	1.00
SFA0004	M6 Nylock	8.00
SFA0013	M6 x 10 304 Pan Pozi	8.00

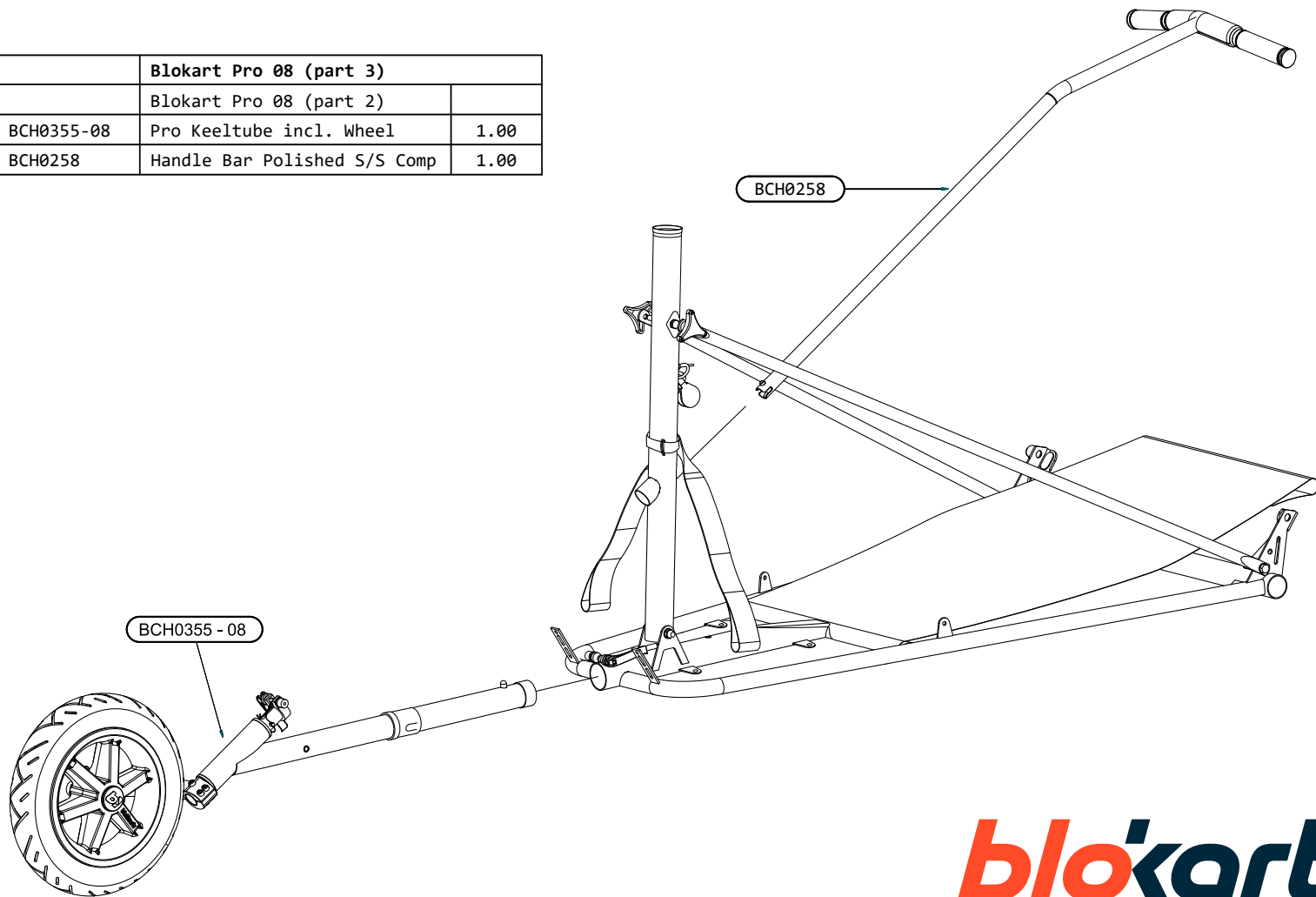
# Pro blokart part assembly (part 2)

Blokart Pro (part 2)		
Blokart Pro (part 1)		
BFA0113	Tri-Knob Pair inc Safety Wire	1.00
BCH0054	Strut S/S	2.00
SFA0138	Backrest Bolt & Spacer Set	2.00
BCH3151	Chassis Floor & Seat	1.00



# Pro blokart part assembly (part 3)

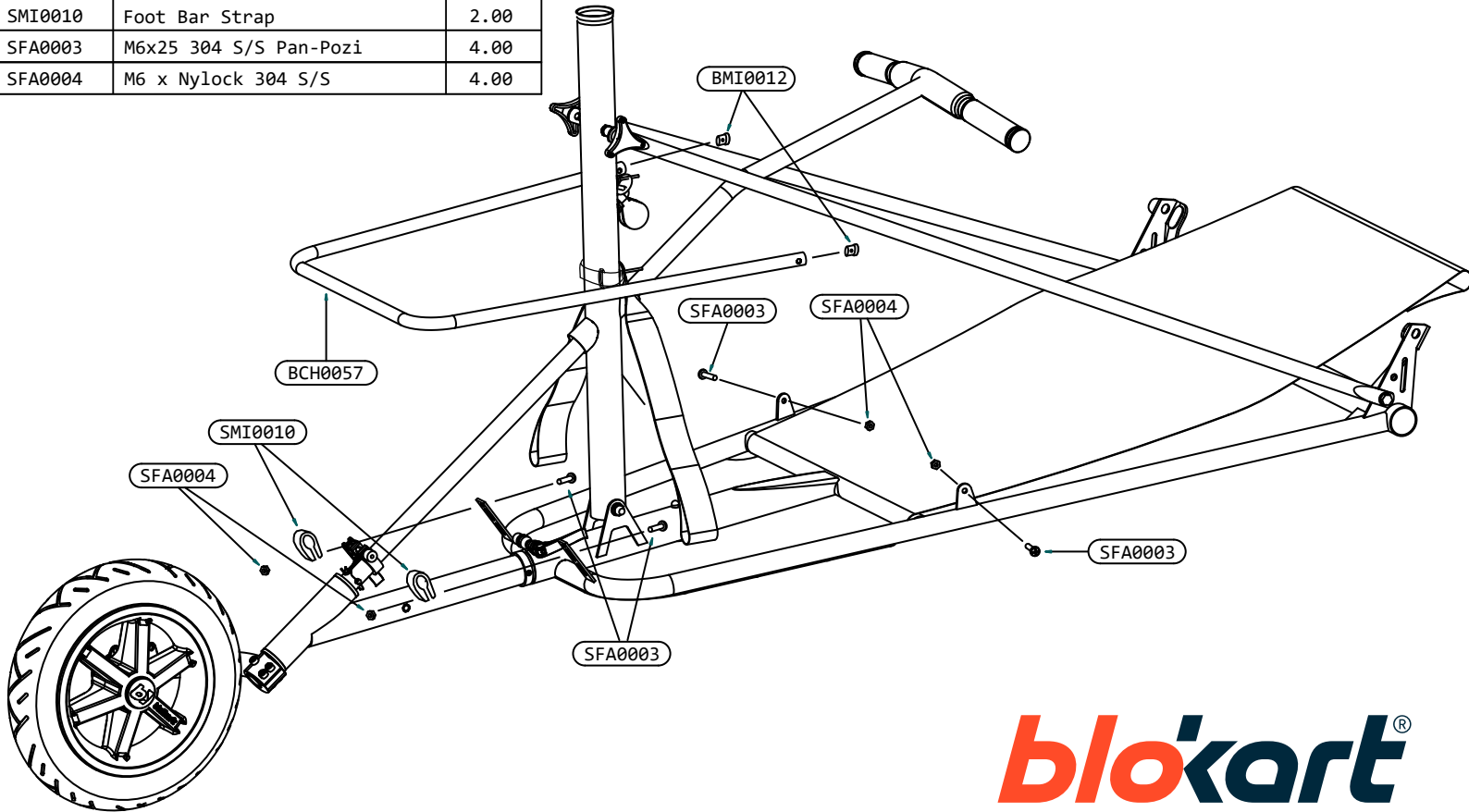
	<b>Blokart Pro 08 (part 3)</b>	
	Blokart Pro 08 (part 2)	
BCH0355-08	Pro Keeltube incl. Wheel	1.00
BCH0258	Handle Bar Polished S/S Comp	1.00



**blokart®**

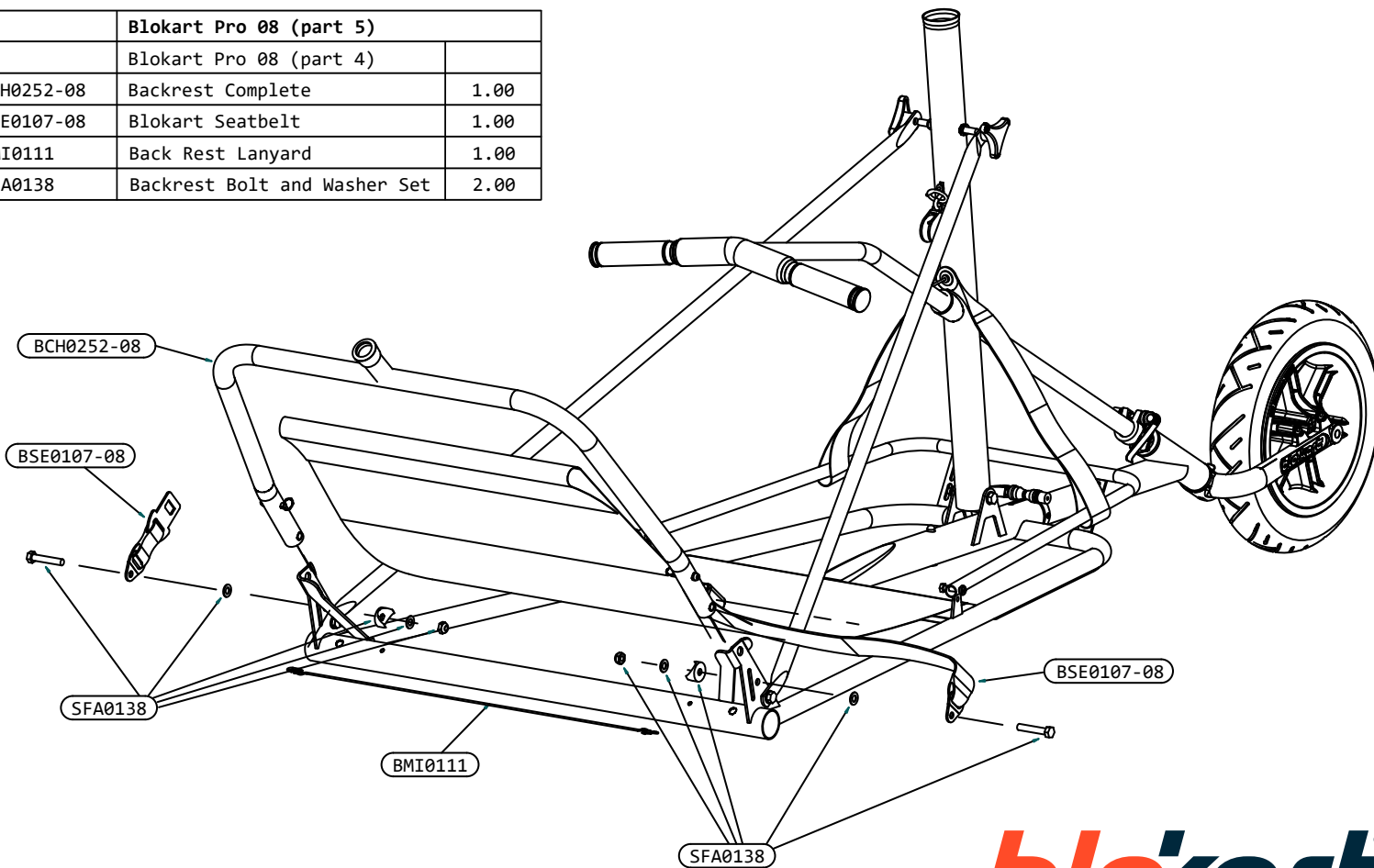
# Pro blokart part assembly (part 4)

Blokart Pro (part 4)		
	Blokart Pro (part 3)	
BCH0057	Foot Bar S/S	1.00
BMI0012	Footbar End Plugs	2.00
SMI0010	Foot Bar Strap	2.00
SFA0003	M6x25 304 S/S Pan-Pozi	4.00
SFA0004	M6 x Nylock 304 S/S	4.00



# Pro blokart part assembly (part 5)

Blokart Pro 08 (part 5)		
	Blokart Pro 08 (part 4)	
BCH0252-08	Backrest Complete	1.00
BSE0107-08	Blokart Seatbelt	1.00
BMI0111	Back Rest Lanyard	1.00
SFA0138	Backrest Bolt and Washer Set	2.00





# Pro blokart part assembly (part 6)

Blokart Pro 08 (part 6)		
	Blokart Pro 08 (part 5)	
SSC0036	Down Haul Cam Cleat	1.00
SSC0011	Parell Bead Black	1.00
SSC0010	4mm Black Nylon Braid	1.00
BWH1205	Rear Wheel Excl. Stub Axle 30 psi	2.00
BWH0151	Stub Axle Chassis > 3444	2.00

